

✓	NOMINAL SIZE (INCH)	ACTUAL SIZE			AIRFLOW CAPACITY (CFM)	WEIGHT (LBS)
		H	W	D		
	24 X 24 X 12	23.31	23.31	11.25	2000	19.0
	24 X 20 X 12	23.31	19.31	11.25	1600	18.0
	24 X 12 X 12	23.31	11.31	11.25	1000	14.0
	25 X 20 X 12	24.31	19.31	11.25	1750	18.0
	25 X 16 X 12	24.31	15.31	11.25	1400	17.0
	24 X 18 X 12	23.31	17.31	11.25	1500	17.0
	20 X 20 X 12	19.31	19.31	11.25	1400	17.0
	20 X 16 X 12	19.31	15.31	11.25	1100	16.0
	12 X 24 X 12	11.31	23.31	11.25	1600	14.0
	20 X 24 X 12	19.31	23.31	11.25	1000	18.0
	24 X 24 X 6	23.31	23.31	5.62	1000	11.0
	24 X 20 X 6	23.31	19.31	5.62	800	10.0
	24 X 12 X 6	23.31	11.31	5.62	500	8.0
	25 X 20 X 6	24.31	19.31	5.62	875	10.0
	25 X 16 X 6	24.31	15.31	5.62	700	9.0
	24 X 18 X 6	23.31	17.31	5.62	750	10.0
	20 X 20 X 6	19.31	19.31	5.62	700	10.0
	20 X 16 X 6	19.31	15.31	5.62	550	9.0
	12 X 24 X 6	11.31	23.31	5.62	500	8.0
	20 X 24 X 6	19.31	23.31	5.62	800	10.0

**GENERAL NOTES:**

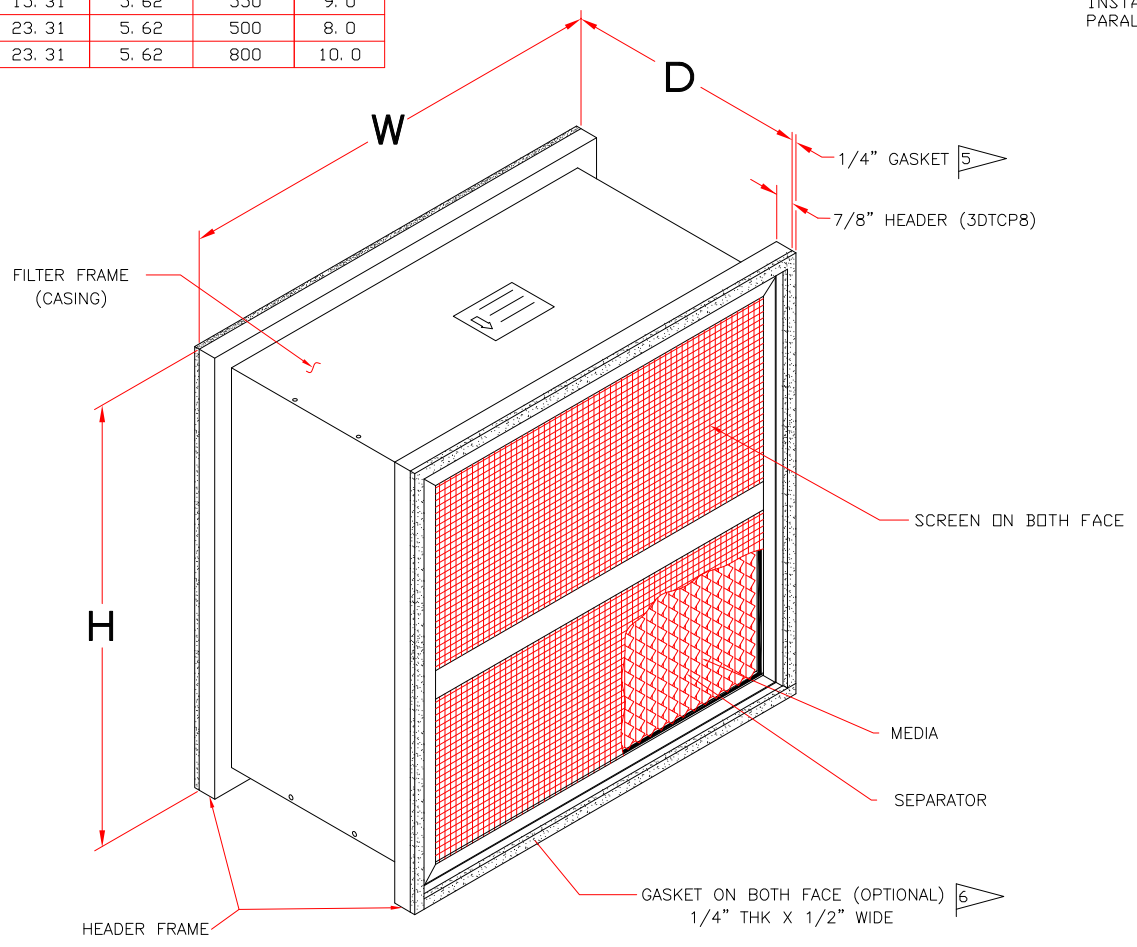
- MEDIUM EFFICIENCY, MERV 11 - 14 RIGID PLEATED DISPOSABLE FILTER. EFFICIENCY IS TESTED IN ACCORDANCE WITH ASHRAE 52.2-(LATEST REV).
- AVAILABLE SIZES (NOMINAL) AND EFFICIENCIES: SEE TABULATION BLOCK.
- SEE CAMFIL FARR BULLETIN 1602-(LATEST REV.) AND PRODUCT RTF SPECIFICATIONS FOR OTHER FEATURES, CONSTRUCTION AND PERFORMANCE CHARACTERISTICS.
- ALL 12" DEEP FILTERS ARE RATED AT 500 FPM, AND 6" DEEP FILTERS ARE RATED AT 250 FPM.



- STANDARD UNIT IS WITH GASKET LOCATED DOWNSTREAM ONLY.
- UPSTREAM GASKET OR UNITS WITH GASKET ON BOTH FACES ARE OPTIONAL AND REQUIRE DIFFERENT PART NUMBER.

**PERFORMANCE NOTES:**

- SEE TABULATION BLOCK FOR AIRFLOW CAPACITY.
- CAMFIL FARR RECOMMENDS FILTER TO BE INSTALLED WITH THE PLEATS RUNNING PARALLEL TO HEIGHT DIMENSION.



B	05/26/09	REVISED	14955-AY	SMA	-	-
A	01/06/03	FIRST ISSUE	16001-AP	SMA	CAM	
REV.	DATE	DESCRIPTION	EDW	DFT	CK	APP

**camfil**  
FARR

©Camfil Farr <http://www.camfilfarr.com>

DESCRIPTION  
TURBOPAC 3DHCP8 CL1 FILTERS  
6" & 12" DEEP, DOUBLE HEADER  
MERV 11, MERV 13 & MERV 14

SHEET	DRAWING NUMBER:	REV.
1 OF 1	402294	B