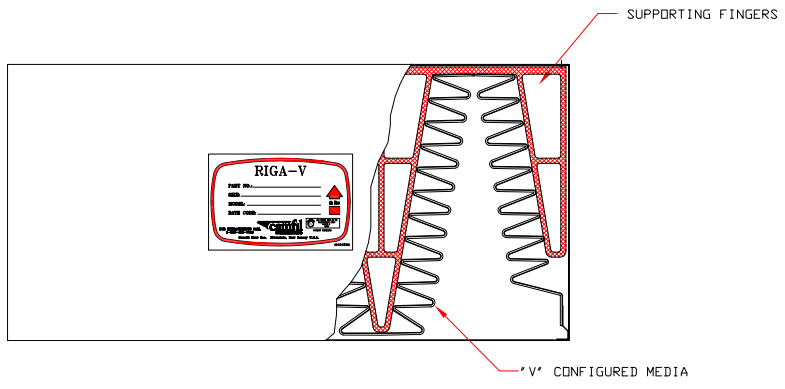


NOMINAL SIZE (INCH)	ACTUAL SIZE			ORDERING REFERENCE			AIRFLOW CAPACITY (CFM)	MEDIA AREA (SQ. FT)	WEIGHT (LBS)
	H	W	D	RIGA-V EFFICIENCY					
				65% (MERV 11)	85% (MERV 13)	95% (MERV 14)			
24 X 24 X 12	23.38	23.38	11.50	404340002	404340003	404340004	2000	41.0	9.20
24 X 12 X 12	23.38	11.38	11.50	404340012	404340013	404340014	1000	20.5	4.90
24 X 20 X 12	23.38	19.38	11.50	404340022	404340023	404340024	1660	34.2	7.80
20 X 20 X 12	19.38	19.38	11.50	404340032	404340033	404340034	1400	28.6	6.30
INITIAL PRESSURE DROP (IN. W. G.)				0.29	0.38	0.55			
FINAL PRESSURE DROP (IN. W. G.)				1.50					

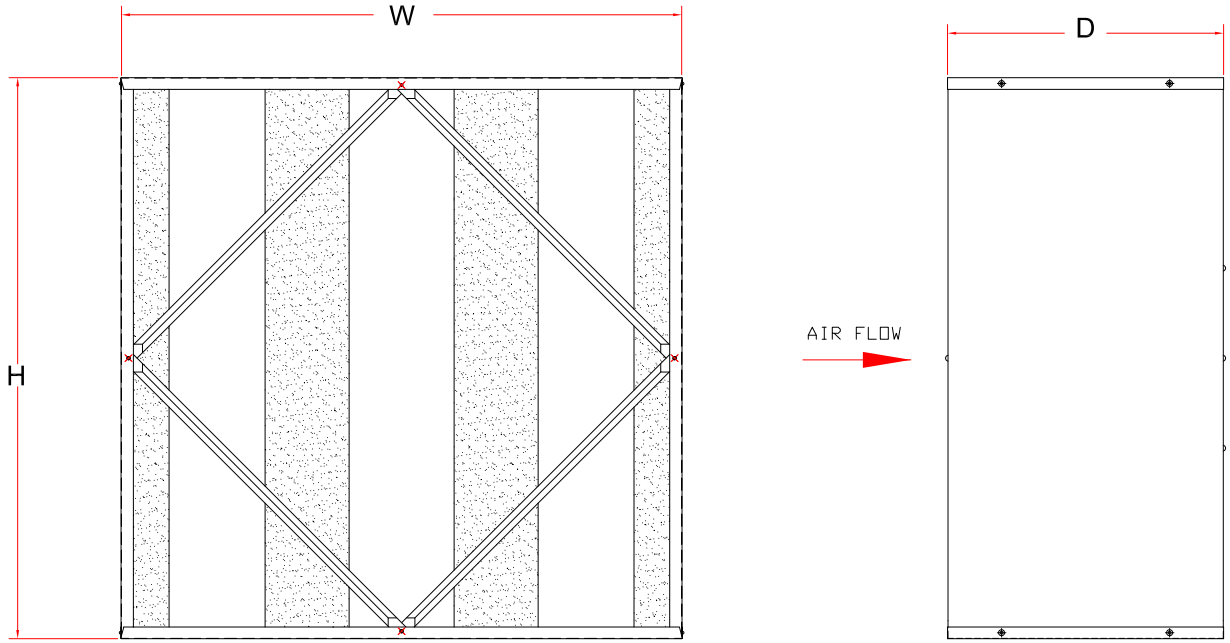
GENERAL NOTES:

- MEDIUM EFFICIENCY, MERV 11-14 (65-95%) RIGID PLEATED DISPOSABLE. FILTER EFFICIENCY IS MINIMUM MERV RATING WHEN TESTED IN ACCORDANCE WITH ASHRAE 52.2-1999 AND MINIMUM DUST SPOT EFFICIENCY WHEN TESTED IN ACCORDANCE WITH ASHRAE 52.1-1992.
- AVAILABLE SIZES (NOMINAL) AND EFFICIENCIES: SEE TABULATION BLOCK.
- FILTER CLASSIFIED BY UNDERWRITERS LABORATORIES AS TO FLAMMABILITY ONLY U.L. CLASS 2.
- PHYSICAL DATA (MATERIAL OF CONSTRUCTION):
 - HOUSING & DIAGONAL GALVANIZED STEEL.
 - POLYPROPYLENE CONTOUR STABILIZERS.
- MEDIA: SYNTHETIC MICROFIBER LAMINATED BETWEEN TWO SPUN-BONDED SCRIM LAYERS AND BONDED TO A WELDED WIRE SUPPORT GRID.
- ORDERING INSTRUCTIONS: SPECIFY BY NAME, MEDIA TYPE (EFFICIENCY), U.L. CLASS, NOMINAL SIZE (HxWxD) AND ORDERING REFERENCE.
EXAMPLE: RVPMV11 U.L. CLASS 2, SIZE 24x24x12 P/N 404340002.



PERFORMANCE NOTES:

- SEE TABULATION BLOCK FOR PRESSURE DROP (INITIAL AND FINAL) AND AIRFLOW CAPACITY. PERFORMANCE TOLERANCE IS IN ACCORDANCE WITH AIR STANDARD 850, SECTION 7.4.
- CAMFIL FARR RECOMMENDS FILTER TO BE INSTALLED WITH THE PLEATS RUNNING PARALLEL TO HEIGHT DIMENSION.
- OPERATING TEMPERATURE:
 - CONTINUOUS = 160°F
 - INTERMITTENT = 180°F



D	04/22/09	REVISED	11313-BX	SMA	-	-
A	1/18/06	FIRST ISSUE	16054-A	AC	CAM	Cam
REV.	DATE	DESCRIPTION	EWB	DFT	CK	APP

camfil
FARR

©CamFil Farr <http://www.camfilfarr.com>

DESCRIPTION
RIGA-V (P-SERIES) CL2 FILTER
65%(MV11), 85%(MV13), & 95%(MV14)
12" DEEP (BOX STYLE)

SHEET	DRAWING NUMBER:	REV.
1 OF 1	404349	D