

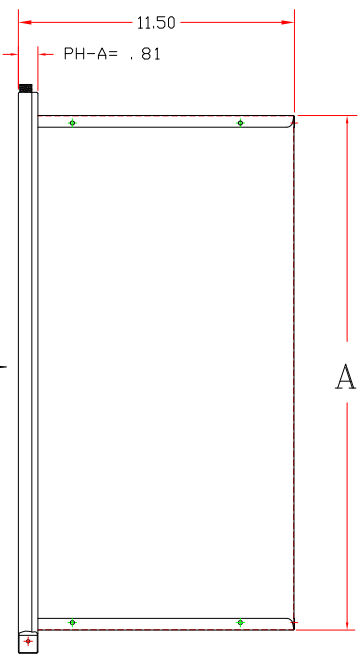
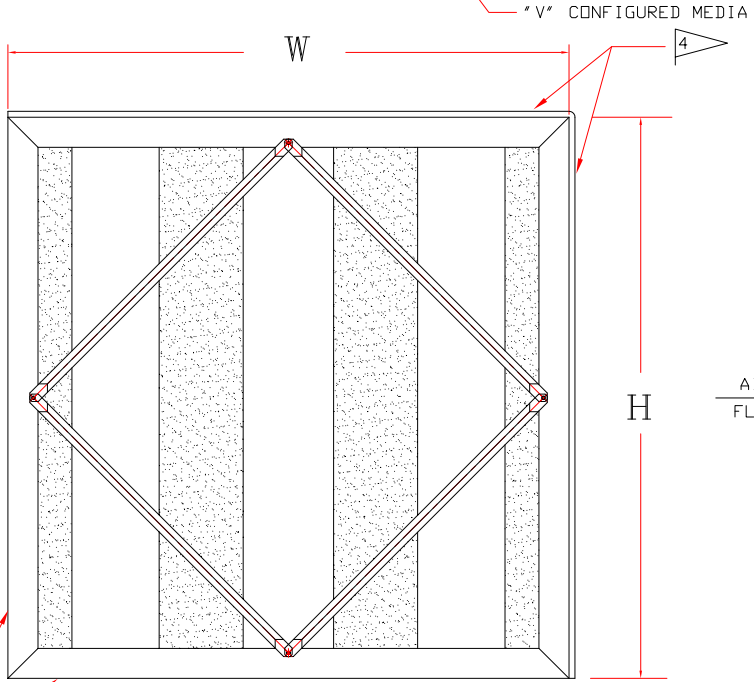
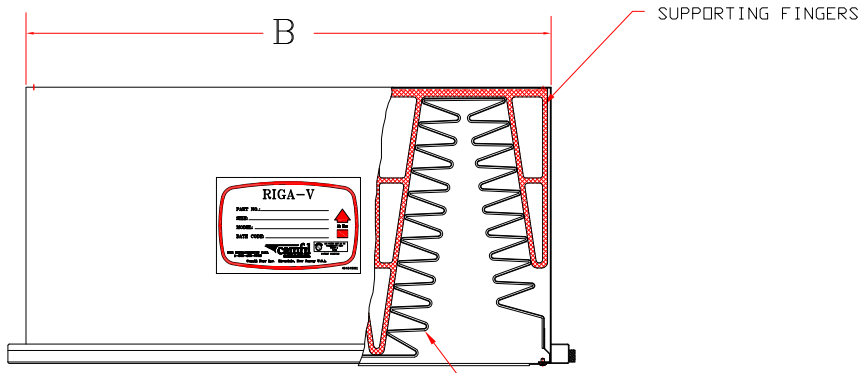
✓	NOMINAL SIZE (INCH)	ACTUAL SIZE				AIRFLOW CAPACITY (CFM)	WEIGHT (LBS)
		H	W	A	B		
	24 X 24 X 12	23.38	23.38	21.44	21.81	2000	12.20
	24 X 12 X 12	23.38	11.38	21.44	9.81	1000	7.90
	24 X 20 X 12	23.38	19.38	21.44	17.81	1670	10.80
	20 X 20 X 12	19.38	19.38	17.44	17.81	1400	9.30

GENERAL NOTES:

- MEDIUM EFFICIENCY, MERV 11-14 RIGID PLEATED DISPOSABLE FILTER. EFFICIENCY IS TESTED IN ACCORDANCE WITH ASHRAE 52.2-(LATEST REV).
- AVAILABLE SIZES (NOMINAL) AND EFFICIENCIES: SEE TABULATION BLOCK.
- SEE CAMFIL FARR BULLETIN 1417-(LATEST REV.) AND PRODUCT RTF SPECIFICATIONS FOR OTHER FEATURES, CONSTRUCTION AND PERFORMANCE CHARACTERISTICS.
- GASKET (1/4 X 1/2 FOAM) IS INSTALLED ON ONE "H" SIDE OF 24x24, 24x20 & 20x20 FILTERS AND ON ADJACENT "H" & "W" SIDES OF 24x12 FILTER.

PERFORMANCE NOTES:

- SEE TABULATION BLOCK FOR AIRFLOW CAPACITY.
- CAMFIL FARR RECOMMENDS FILTER TO BE INSTALLED WITH THE PLEATS RUNNING PARALLEL TO HEIGHT DIMENSION.
- FOR FILTER SIDE ACCESS INSTALLATION, SEE BULLETIN C-1306-1B.



D	05/26/09	REVISED	14955-AY	SMA	-	-
A	01/18/06	FIRST ISSUE	16054-A	AC	CAM	Camfil
REV	DATE	DESCRIPTION	EWD	DFT	CK	APP



© Camfil Farr http://www.camfilfarr.com						
DESCRIPTION						
RIGA-V PH (P-SERIES) CL2 FILTER						
MERV 11, MERV 13 & MERV 14						
12" DEEP, "A" HEADER						
SHEET	DRAWING NUMBER				REV	
1 OF 1	404508				D	