

TABLE I - STANDARD UNIT AIRFLOW RATING

NO. OF FILTERS WIDE	1/2	1	1-1/2	2	2-1/2	3	3-1/2	4	4-1/2	5	5-1/2	6	A	
WIDTH INCHES	12.00	24.00	36.00	48.00	60.00	72.00	84.00	96.00	108.00	120.00	132.00	144.00		
1	27.25	1,000	2,000	3,000	4,000	5,000	6,000	7,000	8,000	9,000	10,000	11,000	12,000	3.88
1-1/2	39.50	-	3,000	-	6,000	-	9,000	-	12,000	-	15,000	-	18,000	4.00
2	51.50	2,000	4,000	6,000	8,000	10,000	12,000	14,000	16,000	18,000	20,000	22,000	24,000	4.00
2-1/2	63.75	-	5,000	-	10,000	-	15,000	-	20,000	-	25,000	-	30,000	4.12
3	75.75	3,000	6,000	9,000	12,000	15,000	18,000	21,000	24,000	27,000	30,000	33,000	36,000	4.12
3-1/2	88.00	-	7,000	-	14,000	-	21,000	-	28,000	-	35,000	-	42,000	4.25
4	100.00	4,000	8,000	12,000	16,000	20,000	24,000	28,000	32,000	36,000	40,000	44,000	48,000	4.25

TABLE II FILTER OPTIONS

TYPE	DEPTH
30/30 (4")	3.75
ULTRASOLVE	3.75
RIGA-FLO (6")	5.88
AEROPAC (6")	5.88

TABLE III G/P HOUSING OPTIONS

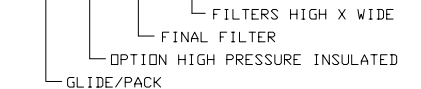
OPTION	DESCRIPTION
4P	STANDARD
4PD	INSULATED DOORS
4PI	FULLY INSULATED
4PH	HIGH PRESSURE (+/- 8" W.G.)
4PF	LESS HOLDING FRAMES
4PHD	HIGH PRESSURE, INSULATED DOORS
4PHI	HIGH PRESSURE, FULLY INSULATED
4PHDF	HIGH PRESSURE, INSULATED DOORS, LESS HOLDING FRAMES
4PHIF	HIGH PRESSURE, FULLY INSULATED, LESS HOLDING FRAMES

GENERAL NOTES:

- UNIT IS COMPLETELY FACTORY ASSEMBLED. FOR CAPACITY REFER TO TABLE I. FOR APPLICATION REFER TO SALES BULLETIN 2405-0302.
- STANDARD MATERIAL OF CONSTRUCTION: 16GA GALVANIZED STEEL HOUSING, EXTRUDED ALUMINUM TRACKS WITH FIN-SEAL (SEE DWG. 121440), NEOPRENE DOOR GASKET, PHENOLIC KNOB FOR POSITIVE DOOR SEALING, 18GA GALVANIZED STEEL HOLDING FRAMES AND APPROPRIATE FILTER FASTENERS.
- HOUSING OPTIONS: (SPECIAL PRICING AND PART NUMBERS REQUIRED)
 - 16GA 304 OR 316 STAINLESS STEEL HOUSING AND EXTRUDED ALUMINUM TRACKS.
 - PRIMED ONLY (OR PRIMED AND PAINTED) INSIDE, OUTSIDE OR BOTH.
 - FIVE (5) FILTERS HIGH MAXIMUM AS ONE PIECE CONSTRUCTION.
 - ANY 4P HOUSING WITH 3P ALUMINUM TRACKS. ONLY 2" 30/30 CAN BE USED IN TRACK AND/OR HOLDING FRAME.
 - PRESSURE TAP AND FITTING (SEE DWG 094805)
 - OTHER SPECIAL OPTIONS REQUIRE CAMFIL FARR ENGINEERING CONSULTATION.
 - SEE TABLE II FOR FILTER OPTIONS. FILTERS ARE NOT INCLUDED WITH HOUSING, ORDER SEPARATELY.
- ORDERING INFORMATION: SPECIFY MODEL, SIZE AND TYPE OF FILTER FOR WHICH HARDWARE AND/OR FASTENERS SHOULD BE FURNISHED. EXAMPLE.

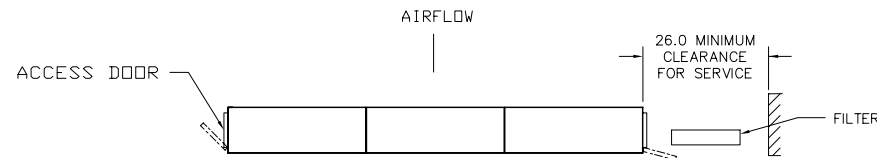
TABLE IV			
MANUFACTURING DRAWINGS			
4P	071601	4PH	402012
4PD	077828	4PHD	111708
4PI	078230	4PHI	078231

GLIDE/PACK 4PHI RIGA-FLO 6 BOX STYLE 2X4.5 (G/P 4PHI RF6 2X4.5)

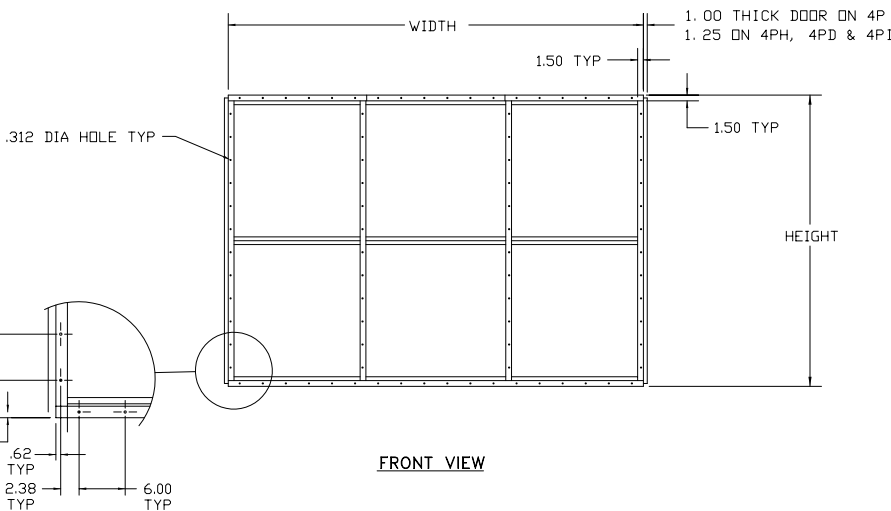


PERFORMANCE NOTES:

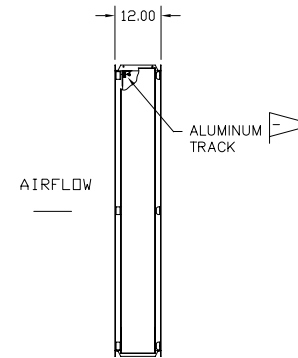
- STANDARD HOUSING OPERATING PRESSURE TO +/- 3" W.G. WITH LESS THAN 0.5% LEAKAGE INTO HOUSING FRAME. LEAKAGE AROUND FILTER LESS THAN 1% AT 3" W.G. 1% AT 3" W.G. DIFFERENTIAL AT 2,000 CFM FOR 1X1 UNIT.
- OPERATING TEMPERATURE 250°F CONTINUOUS. MEETS NFPA 90A AND TESTED PER ASTM-E84 TESTED PER ASTM-E84.
- INSULATION ON INSULATED UNITS IS 1" THICK AND IS RATED AT 0.25-0.30 "K" FACTOR



TOP VIEW



FRONT VIEW



SIDE VIEW

G	01/29/02	REVISED PER SALES	14955-D	JWC	CAM	Cesa
A	01/19/81	FIRST ISSUE	9434	JG	LAD	PZ
REV	DATE	DESCRIPTION	EWD	DFT	CK	APP



© Camfil Farr <http://www.camfilfarr.com>

DESCRIPTION
GLIDE/PACK 4P, 4PD, 4PI, 4PH, 4PF, 4PHD, 4PHI, 4PHDF & 4PHIF
1/2 THRU 4 HIGH

SHEET	DRAWING NUMBER	REV
1 OF 1	071601	G