

TABLE I - STANDARD UNIT AIRFLOW RATING

NO. OF FILTERS WIDE	1/2	1	1-1/2	2	2-1/2	3	3-1/2	4	4-1/2	5	5-1/2	6	A		
WIDTH INCHES	12.00	24.00	36.00	48.00	60.00	72.00	84.00	96.00	108.00	120.00	132.00	144.00			
NO. OF FILTERS HIGH	AIRFLOW CAPACITIES (CFM) AT 500 FPM														
HEIGHT INCHES	1/2	15.25	-	1,000	-	2,000	-	3,000	-	4,000	-	5,000	-	6,000	3.88
1	27.25	1,000	2,000	3,000	4,000	5,000	6,000	7,000	8,000	9,000	10,000	11,000	12,000	3.88	
1-1/2	39.50	-	3,000	-	6,000	-	9,000	-	12,000	-	15,000	-	18,000	4.00	
2	51.50	2,000	4,000	6,000	8,000	10,000	12,000	14,000	16,000	18,000	20,000	22,000	24,000	4.00	
2-1/2	63.75	-	5,000	-	10,000	-	15,000	-	20,000	-	25,000	-	30,000	4.12	
3	75.75	3,000	6,000	9,000	12,000	15,000	18,000	21,000	24,000	27,000	30,000	33,000	36,000	4.12	
3-1/2	88.00	-	7,000	-	14,000	-	21,000	-	28,000	-	35,000	-	42,000	4.25	
4	100.00	4,000	8,000	12,000	16,000	20,000	24,000	28,000	32,000	36,000	40,000	44,000	48,000	4.25	

TABLE II FILTER OPTIONS

TYPE	DEPTH
30/30 (4")	3.75
ULTRASOLVE	3.75
RIGA-FLO (6")	5.88
AEROPAC (6")	5.88

TABLE III G/P HOUSING OPTIONS

OPTION	DESCRIPTION
SP	STANDARD

TABLE IV MANUFACTURING DRAWINGS

SP	401912
----	--------

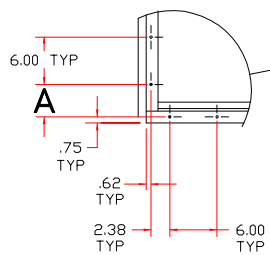
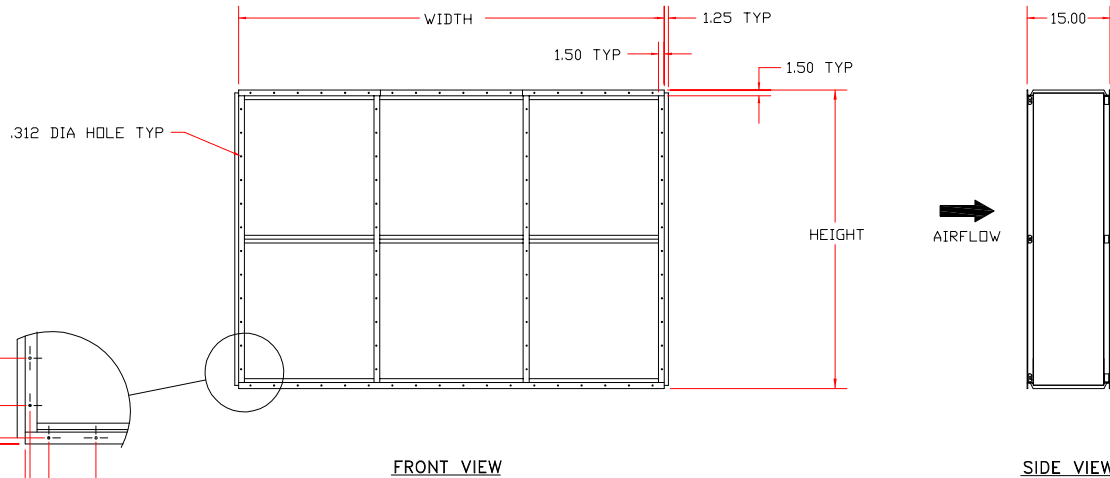
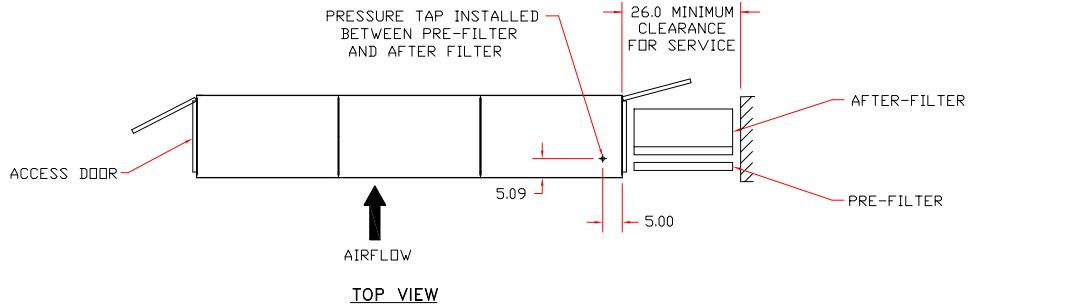
GENERAL NOTES:

- UNIT IS COMPLETELY FACTORY ASSEMBLED. FOR CAPACITY REFER TO TABLE I. FOR APPLICATION REFER TO SALES BULLETIN 2420-(LATEST REV).
- STANDARD MATERIAL OF CONSTRUCTION: 16GA GALVANIZED STEEL HOUSING, EXTRUDED ALUMINUM TRACKS WITH FIN-SEAL (SEE DWG. 11615B), NEOPRENE DOOR GASKET, PHENOLIC KNOB FOR POSITIVE DOOR SEALING, 18GA GALVANIZED STEEL HOLDING FRAMES AND APPROPRIATE FILTER FASTENERS.
- HOUSING OPTIONS: (SPECIAL PRICING AND PART NUMBERS REQUIRED).
 - 16GA 304 OR 316 STAINLESS STEEL HOUSING AND EXTRUDED ALUMINUM TRACKS.
 - PRIMED ONLY (OR PRIMED AND PAINTED) INSIDE, OUTSIDE OR BOTH.
 - FIVE (5) FILTERS HIGH MAXIMUM AS ONE PIECE CONSTRUCTION.
 - ANY 5P HOUSING WITH 6P ALUMINUM TRACKS. ONLY 2" AND 4" 30/30 CAN BE USED IN TRACK IN COMBINATION WITH HOLDING FRAME.
 - PRESSURE TAP AND FITTING (SEE DWG 094805)
 - OTHER SPECIAL OPTIONS REQUIRE CAMFIL FARR ENGINEERING CONSULTATION.
 - SEE TABLE II FOR FILTER OPTIONS. FILTERS ARE NOT INCLUDED WITH HOUSING, ORDER SEPARATELY.
- ORDERING INFORMATION: SPECIFY MODEL, SIZE AND TYPE OF FILTER FOR WHICH HARDWARE AND/OR FASTENERS SHOULD BE FURNISHED. EXAMPLE.

GLIDE/PACK 5P RIGA-FLO 6 BOX STYLE 2X4.5 (G/P SP RF6 2X4.5)
 FILTERS HIGH X WIDE
 FINAL FILTER
 OPTION
 GLIDE/PACK

PERFORMANCE NOTES:

- STANDARD HOUSING OPERATING PRESSURE TO +/- 3" W.G. WITH LESS THAN 0.5% LEAKAGE INTO HOUSING FRAME. LEAKAGE AROUND FILTER LESS THAN 1% AT 3" W.G. 1% AT 3" W.G. DIFFERENTIAL AT 2,000 CFM FOR 1X1 UNIT.
- OPERATING TEMPERATURE 250°F CONTINUOUS. MEETS NFPA 90A AND TESTED PER ASTM-E84 TESTED PER ASTM-E84.
- INSULATION ON INSULATED UNITS IS 1" THICK AND IS RATED AT 0.25-0.30 "K" FACTOR



REV	DATE	DESCRIPTION	EWD	DFT	CK	APP
F	08/31/06	REVISED PER SALES	14955-AM	AC	CAM	Césor
A	03/21/00	FIRST ISSUE	16043-A	RG	CAM	Césor



© Camfil Farr
 DESCRIPTION
 GLIDE/PACK 5P
 1/2 THRU 4 HIGH

SHEET	DRAWING NUMBER	REV
1 OF 1	401917	F

MFG. DWG. (SEE TABLE IV)