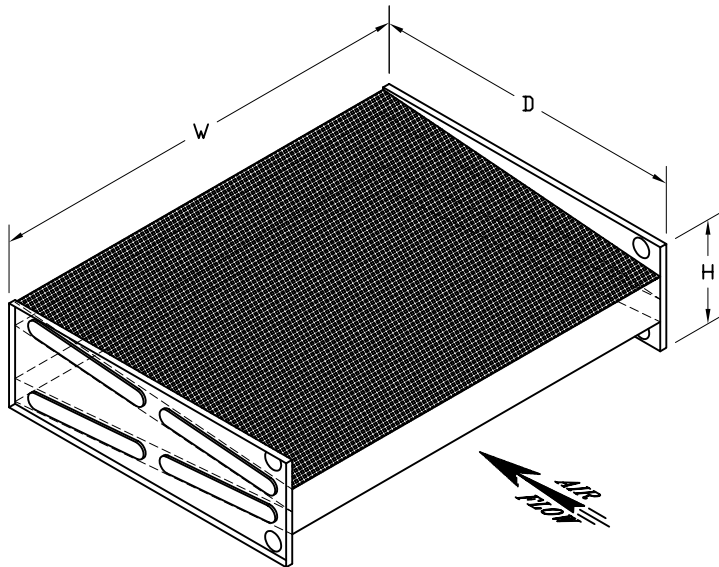


GDM-440-H



GDM-440-F


✓	DESCRIPTION	PART NUMBER	SIZE (H x W x D)	MEDIA TYPE	MEDIA VOLUME
	GDM-440-F-002	M29424002	5.7" x 24" x 17.3"	CFS-002	0.47 CU. FT.
	GDM-440-F-004	M29424004	5.7" x 24" x 17.3"	CFS-004	0.47 CU. FT.
	GDM-440-F-101	M29424101	5.7" x 24" x 17.3"	CFS-101	0.47 CU. FT.
	GDM-440-F-103	M29424103	5.7" x 24" x 17.3"	CFS-103	0.47 CU. FT.
	GDM-440-F-201	M29424201	5.7" x 24" x 17.3"	CFS-201	0.47 CU. FT.
	GDM-440-F-202	M29424202	5.7" x 24" x 17.3"	CFS-202	0.47 CU. FT.
	GDM-440-H-002	M29412002	5.7" x 12" x 17.3"	CFS-002	0.24 CU. FT.
	GDM-440-H-004	M29412004	5.7" x 12" x 17.3"	CFS-004	0.24 CU. FT.
	GDM-440-H-101	M29412101	5.7" x 12" x 17.3"	CFS-101	0.24 CU. FT.
	GDM-440-H-103	M29412103	5.7" x 12" x 17.3"	CFS-103	0.24 CU. FT.
	GDM-440-H-201	M29412201	5.7" x 12" x 17.3"	CFS-201	0.24 CU. FT.
	GDM-440-H-202	M29412202	5.7" x 12" x 17.3"	CFS-202	0.24 CU. FT.

NOTES:

1. FRAME MATERIAL: HIGH-IMPACT POLYSTYRENE
2. BED DEPTH: 1"
3. COLOR: BLACK
4. PACKAGING: CARDBOARD BOX AND PROTECTIVE PLASTIC BAG.
5. GROSS WEIGHT: 13 TO 24 POUNDS (FULL SIZE)

APPLICATION PARAMETERS:

1. RELATIVE HUMIDITY: 30-90%
2. TEMPERATURE: 122°F (50°C) MAXIMUM
3. RESIDENCE TIME: MINIMUM 0.09 SECONDS, RETURN AIR HANDLING UNIT
4. NORMAL AIRFLOW: 425 FEET PER MINUTE (400 CFM PER MODULE)
5. PRESSURE DROP: 0.20" WG (WITH CAMPURE MEDIA)

CUSTOMER APPROVAL BLOCK				 <small>©Camfil Farr <a href="http://www.camfilfarr.com">http://www.camfilfarr.com</a></small>	
YOUR APPROVAL OF THIS PRINT AUTHORIZES CAMFIL FARR TO PROCEED WITH MATERIAL PROCUREMENT, TOOLING AND PRODUCT FABRICATION. ANY CHANGES MADE AFTER APPROVAL MAY INCUR FURTHER EXPENSES TO THE CUSTOMER.				DESCRIPTION CAMFIL FARR CAMPURE GDM 440 ADSORBER MODULE	
<input type="checkbox"/> OK AS IS <input type="checkbox"/> OK WITH REVISIONS <input type="checkbox"/> SEND REVISED DWG.				SHEET    DRAWING NUMBER    REV.	
SIGNATURE/DATE _____		DRAWN BY: _____		DATE: _____	
APPROVED BY: _____	DATE: _____	TLC	11/15/05	1 of 1	M294 CAMPURE -