

✓	MODEL NUMBER	ASHRAE MERV RATING (DUST SPOT)	DIMENSIONS (in inches) A x B x C	AIR FLOW (CFM) / PRESSURE DROP (in W.G.)	MEDIA AREA (sq. ft.)
	DU2V-1511-51-MV11	MERV 11 (60-65%)	23-3/8 x 11-3/8 x 11	850/0.25	45
	DU2V-1511-51-MV13	MERV 13 (80-85%)	23-3/8 x 11-3/8 x 11	850/0.43	45
	DU2V-1511-51-MV14	MERV 14 (90-95%)	23-3/8 x 11-3/8 x 11	850/0.55	45
	DU2V-1511-21-MV11	MERV 11 (60-65%)	23-3/8 x 19-3/8 x 11	1610/0.25	82
	DU2V-1511-21-MV13	MERV 13 (80-85%)	23-3/8 x 19-3/8 x 11	1610/0.43	82
	DU2V-1511-21-MV14	MERV 14 (90-95%)	23-3/8 x 19-3/8 x 11	1610/0.55	82
	DU2V-1511-11-MV11	MERV 11 (60-65%)	23-3/8 x 23-3/8 x 11	2000/0.25	100
	DU2V-1511-11-MV13	MERV 13 (80-85%)	23-3/8 x 23-3/8 x 11	2000/0.43	100
	DU2V-1511-11-MV14	MERV 14 (90-95%)	23-3/8 x 23-3/8 x 11	2000/0.55	100

NOTES:

1. FILTER MEDIA: MICRO-GLASS FIBER / ACRYLIC RESIN BINDER
2. SEPARATOR MAT'L: GLASS FIBER SPACED @ 44mm INTERVALS
3. FRAME MAT'L: ALL INJECTION MOLDED PLASTIC CONSTRUCTION
4. SEALANT MAT'L: PHOSPHORUS FREE TWO PART POLYURETHANE
5. GASKET MAT'L: 1/4X1/2 POLY FOAM STRIP W/PSA, STANDARD ON SIDE OF HEADER FOR NOMINAL 24X24 SIZE. OTHER SIZES TO HAVE GASKET ON BOTH TOP AND SIDE OF HEADER.

FILTER SPECIFICATIONS:

PLEAT DEPTH (in): 27.5mm, 4 PACKS
 EFFICIENCY: SEE TABULATION
 MAX. OPERATING TEMP: 175° IN CONTINUOUS SERVICE
 MAX. REL. HUMIDITY: 99%

ASHRAE RATINGS:

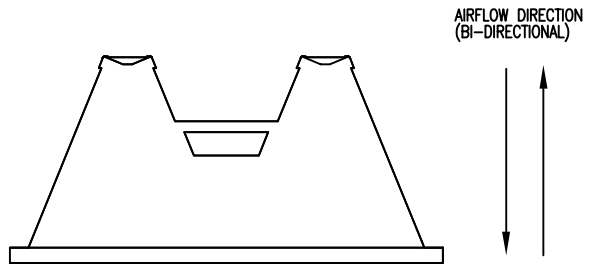
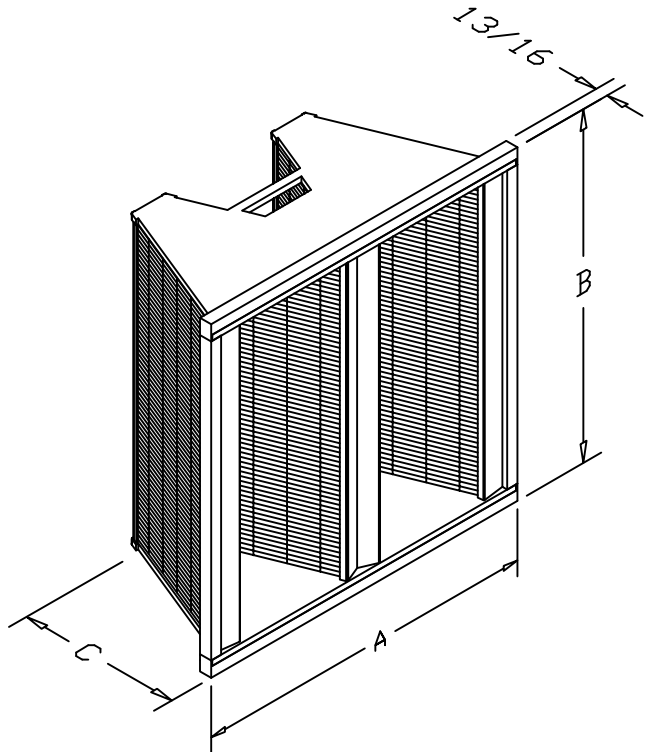
SEE TABULATION


UL RATING:

1. FILTER MEETS UL-900 CLASS 2.

FRAME TOLERANCES:

LENGTHS: +0.000 / -0.063"
 DIAGONALS: WITHIN 1/4" TOTAL ALLOWANCE.



CUSTOMER APPROVAL BLOCK				 ©Camfil Farr http://www.camfilfarr.com		
YOUR APPROVAL OF THIS PRINT AUTHORIZES CAMFIL FARR TO PROCEED WITH MATERIAL PROCUREMENT, TOOLING AND PRODUCT FABRICATION. ANY CHANGES MADE AFTER APPROVAL MAY INCUR FURTHER EXPENSES TO THE CUSTOMER. <input type="checkbox"/> OK AS IS <input type="checkbox"/> OK WITH REVISIONS <input type="checkbox"/> SEND REVISED DWG.						
SIGNATURE/DATE _____				DESCRIPTION DURAFIL 2V ASHRAE GRADE FILTER DU2V-1511 SERIES		
APPROVED BY:	DATE:	DRAWN BY:	DATE:	SHEET	DRAWING NUMBER	REV.
AS	6/7/05	AS	5/17/05	1 of 1	SDU00005	A