

SPECIFICATIONS							
MODEL NUMBER	ASHRAE MERV RATING	DIMENSIONS (in inches)	AIR FLOW (CFM)/ DP (in W.G.)	AIR FLOW (CFM)/ DP (in W.G.)	AIR FLOW (CFM)/ DP (in W.G.)	MEDIA AREA	
OPT. (XX/XX/...)	REF. 52.2	A x B x C	RATED	REFERENCE	REFERENCE	(sq. ft.)	
DU4V-ES-1224-MV11-_____	MERV 11	11-3/8 x 23-3/8 x 12-3/8	1000/0.21	1250/0.32	1500/0.44	100	
DU4V-ES-1224-MV13-_____	MERV 13	11-3/8 x 23-3/8 x 12-3/8	1000/0.27	1250/0.38	1500/0.50	100	
DU4V-ES-1224-MV14-_____	MERV 14	11-3/8 x 23-3/8 x 12-3/8	1000/0.31	1250/0.42	1500/0.54	100	
DU4V-ES-1224-MV16-_____	MERV 16	11-3/8 x 23-3/8 x 12-3/8	1000/0.60	1250/0.77	1500/0.96	100	
DU3V-ST-2020-MV11-_____	MERV 11	19-3/8 x 19-3/8 x 11-1/2	1250/0.27	1562/0.41	1875/0.55	125	
DU3V-ST-2020-MV13-_____	MERV 13	19-3/8 x 19-3/8 x 11-1/2	1250/0.33	1562/0.47	1875/0.61	125	
DU3V-ST-2020-MV14-_____	MERV 14	19-3/8 x 19-3/8 x 11-1/2	1250/0.37	1562/0.52	1875/0.66	125	
DU3V-ST-2020-MV16-_____	MERV 16	19-3/8 x 19-3/8 x 11-1/2	1250/0.80	1562/0.97	1875/1.19	125	
DU4V-ES-2024-MV11-_____	MERV 11	19-3/8 x 23-3/8 x 12-3/8	1500/0.21	1875/0.32	2250/0.44	160	
DU4V-ES-2024-MV13-_____	MERV 13	19-3/8 x 23-3/8 x 12-3/8	1500/0.27	1875/0.38	2250/0.50	160	
DU4V-ES-2024-MV14-_____	MERV 14	19-3/8 x 23-3/8 x 12-3/8	1500/0.31	1875/0.42	2250/0.54	160	
DU4V-ES-2024-MV16-_____	MERV 16	19-3/8 x 23-3/8 x 12-3/8	1500/0.60	1875/0.77	2250/0.96	160	
DU4V-ES-2424-MV11-_____	MERV 11	23-3/8 x 23-3/8 x 12-3/8	2000/0.21	2500/0.32	3000/0.44	200	
DU4V-ES-2424-MV13-_____	MERV 13	23-3/8 x 23-3/8 x 12-3/8	2000/0.27	2500/0.38	3000/0.50	200	
DU4V-ES-2424-MV14-_____	MERV 14	23-3/8 x 23-3/8 x 12-3/8	2000/0.31	2500/0.42	3000/0.54	200	
DU4V-ES-2424-MV16-_____	MERV 16	23-3/8 x 23-3/8 x 12-3/8	2000/0.60	2500/0.77	3000/0.96	200	

- NOTES:**
- FILTER MEDIA:** MICRO-GLASS FIBER / ACRYLIC RESIN BINDER
  - SEPARATOR MAT'L:** GLASS FIBER SPACED @ 44mm INTERVALS OR THERMOPLASTIC RESIN SPACED @ 25mm INTERVALS
  - FRAME MAT'L:** ALL INJECTION MOLD PLASTIC CONSTRUCTION
  - SEALANT MAT'L:** TWO PART POLYURETHANE
  - GASKET MAT'L:** 1/4X1/2 POLY FOAM STRIP W/PSA. STANDARD ON ONE SIDE OF HEADER FOR NOMINAL 20X20 & 24X24 SIZES. OTHER SIZE TO HAVE GASKET ON BOTH SIDE AND TOP OF HEADER.
  - NOMINAL SIZE 20X20** USES A 3V DESIGN AND DOES NOT INCLUDE FEATURE OF UPSTREAM PRE-FILTER PLENUM

**FILTER SPECIFICATIONS:**

PLEAT DEPTH (in): 24mm, 8 PACKS  
27.5mm, 6 PACKS FOR DU3V-ST-2020

EFFICIENCY: SEE TABULATION

MAX OPERATING TEMP: 175 F IN CONTINUOUS SERVICE

MAX REL. HUMIDITY: 99%

**ASHRAE RATING:** REF. 52.2 REF. 52.1

**MERVE RATINGS** MERV 11 65%

**IN ACCORDANCE WITH** MERV 13 85%

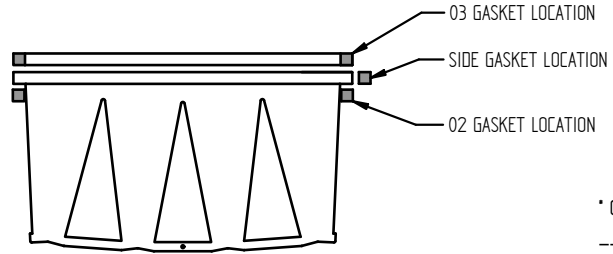
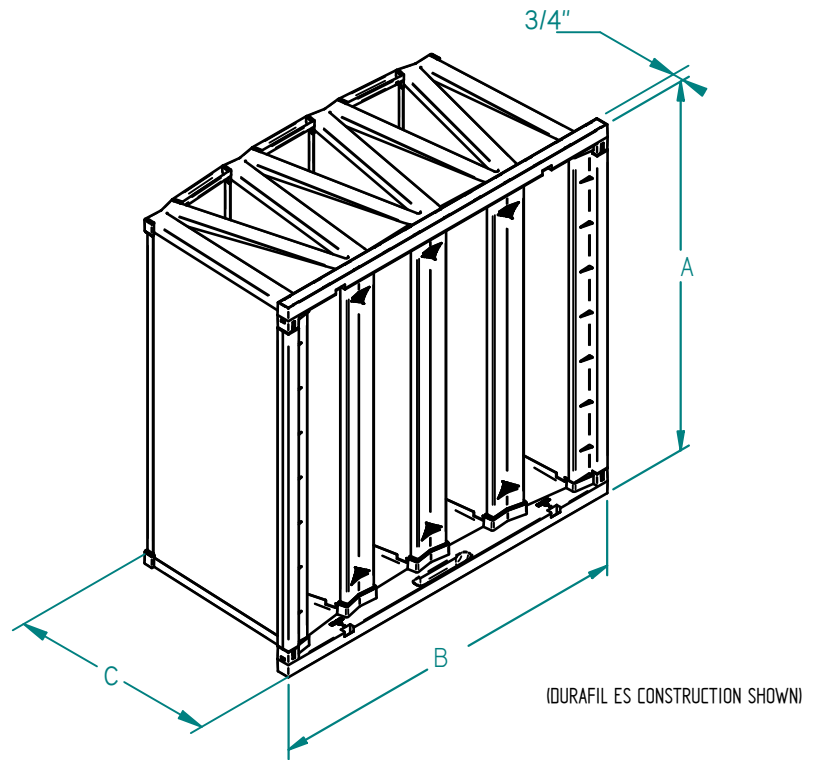
**ASHRAE 52.5-2007** MERV 14 95%

MERV 16 99%

**FRAME TOLERANCES:**

LENGTHS: +0.000 / -0.063"

DIAGONALS: WITHIN 1/4" TOTAL ALLOWANCE FOR DIAGONALS > 30"  
WITHIN 1/8" TOTAL ALLOWANCE FOR DIAGONALS < 30"



- \* OPTIONS ADDED TO MODEL AS FOLLOWS:
- \_\_\_\_\_ NO GASKET (00)
  - \_\_\_\_\_ PERIMETER GASKET (02)
  - \_\_\_\_\_ PERIMETER GASKET (03)

**CUSTOMERS APPROVAL BLOCK:**

YOUR APPROVAL OF THIS PRINT AUTHORIZES CAMFIL FARR TO PROCEED WITH MATERIAL PROCUREMENT, PRODUCT FABRICATION. ANY CHANGES MADE AFTER APPROVAL MAY INCUR FURTHER EXPENCES TO THE CUSTMER

OK AS IS    OK WITH REVISIONS    SEND REV. DWG.

SIGNATURE/DATE \_\_\_\_\_

APPROVED BY: JC   DATE: 4/24/08   DRAWN BY: SuA   DATE: 3/26/08

©Camfil Farr   www.camfilfarr.com

DESCRIPTION:  
DURAFIL ES  
ASHRAE GRADE FILTER  
DU4V-ES & DU3V-ST

SHEET	DRAWING NUMBER	REV.
1 of 1	SDU00001	L