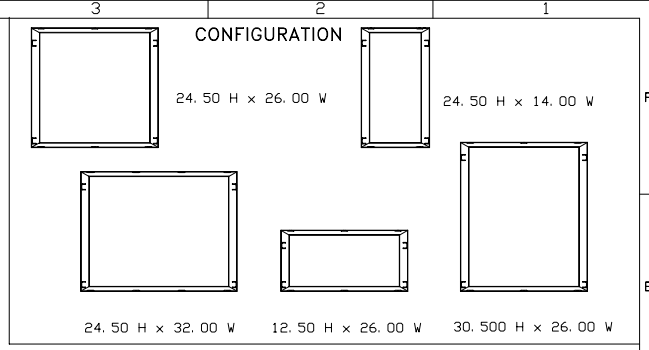


ABSOLUTE-FILTER SIZE		H	W	MATERIAL	MAGNA-FRAME PART NO.	ORDERING REFERENCE		FASTENER 5.88 DEEP FILTER	NO. REQD	FASTENER 11.50 DEEP FILTER	NO. REQD
24.00	24.00	24.50	26.00	GALVANIZED STEEL 14 GA (.075)	077853 001	078092	000	078093	000	4	
24.00	12.00	24.50	14.00		077853 002						4
24.00	30.00	24.50	32.00		077853 003						4
12.00	24.00	12.50	26.00		077853 004						4
30.00	24.00	30.50	26.00		077853 005						4
24.00	24.00	24.50	26.00	077927 001	401717	001	401717	002	4		
24.00	12.00	24.50	14.00	077927 002						4	
24.00	30.00	24.50	32.00	077927 003						4	
12.00	24.00	12.50	26.00	077927 004						4	
30.00	24.00	30.50	26.00	077927 005						4	
24.00	24.00	24.50	26.00	MILD STEEL 14 GA (.075)	401713 001	078092	000	078093	000	4	
24.00	12.00	24.50	14.00		401713 002						4
24.00	30.00	24.50	32.00		401713 003						4
12.00	24.00	12.50	26.00		401713 004						4
30.00	24.00	30.50	26.00		401713 005						4



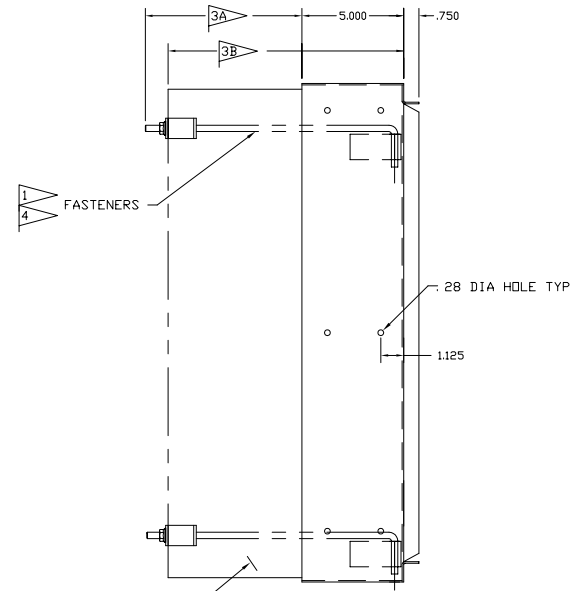
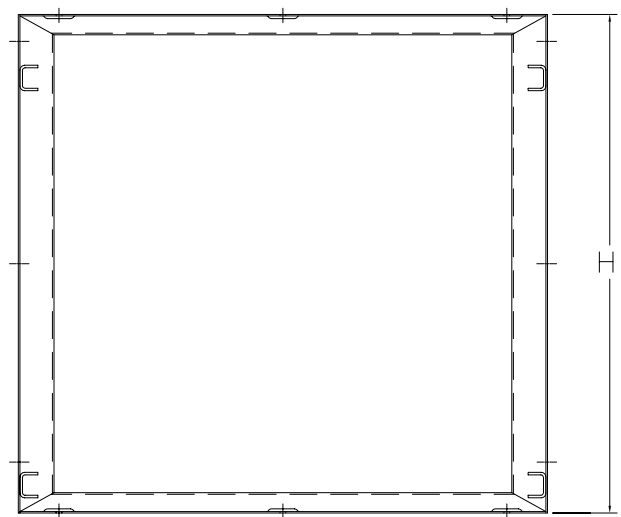
NOTES:

- FASTENERS (ORDERED SEPARATELY):
A. SEE TABULATION FOR ORDERING REFERENCE AND NUMBER REQUIRED PER FRAME. IF PRE-FILTER KIT IS REQUIRED OMIT FASTENERS.
B. PRE-FILTER KIT ORDERING REFERENCE.

FILTER SIZE	PRE-FILTER KIT PART NO.		
	GALVANIZED	304 SST	MILD STEEL
12 X 24 X 5.88	093286000	119424003	401718002
12 X 24 X 11.50	093285000	119424001	401718004
24 X 12 X 5.88	093286000	119424003	401718002
24 X 12 X 11.50	093285000	119424001	401718004
24 X 24 X 5.88	078883000	098895000	401718001
24 X 24 X 11.50	078926000	098894000	401718003

KITS INCLUDE TYPE 8 HOLDING FRAME AND 4 SPECIAL FASTENERS. FILTERS ARE ORDERED SEPARATELY.

- FOR MULTI-BANK ARRANGEMENTS, SEE INSTALLATION INSTRUCTIONS 078075
- LENGTHS:
A. FASTENER:
2.08 FOR 5.88 DEEP FILTER AND
7.7 FOR 11.50 DEEP FILTER
B. FRAME WITH FILTER:
6.2 FOR 5.88 DEEP FILTER AND
11.8 FOR 11.50 DEEP FILTER
- TIGHTEN FASTENERS UNIFORMLY TO 30 INCH-POUNDS OF TORQUE.



E	1/20/03	REVISED PER SALES	14955-Y	AC	DM	CASH
A	8/27/84	FIRST ISSUE	10413-AC	WVS	DM	CASH
REV.	DATE	DESCRIPTION	END	DFT	CK	APP



DESCRIPTION
MAGNA-FRAME I
GASKET-SEAL ABSOLUTE FILTER

SHEET	DRAWING NUMBER:	REV.
1 OF 1	077852	E